

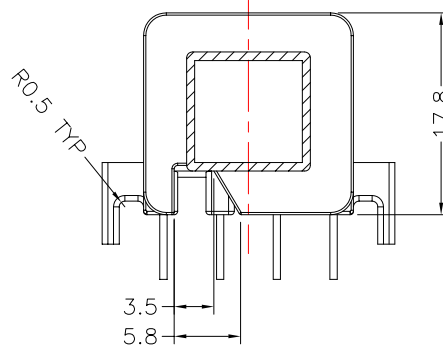
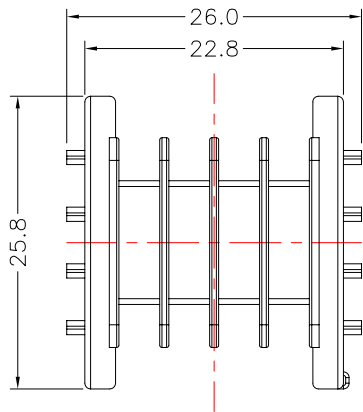


**TRANSFORMER BOBBIN
INDUSTRIAL CO.,LTD.**

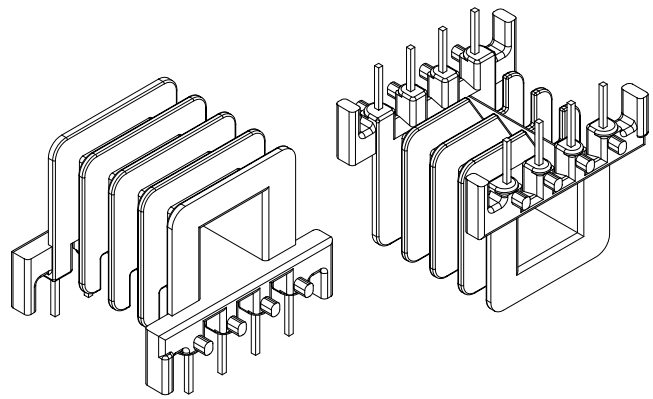
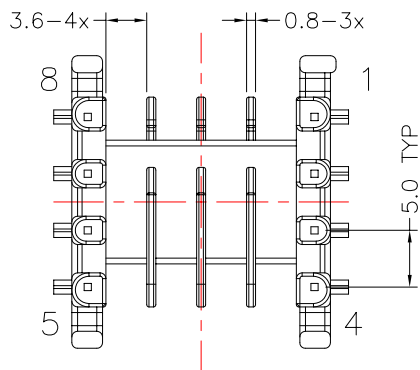
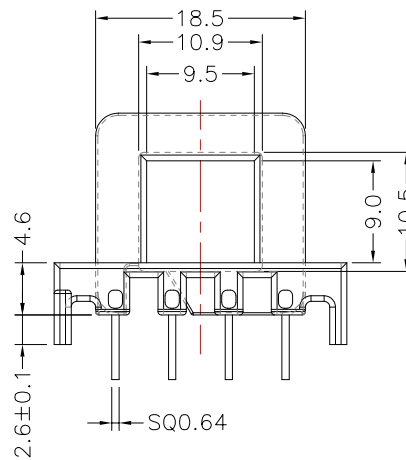
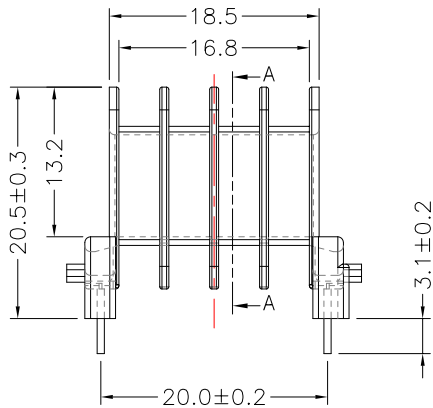
Tel : 86-769-88789999 Fax : 86-769-88789989
http:// tbi-tw.com e-mail : tb6688@ms46.hinet.net

REVISIONS

REV	SYM	DRAFTER	CHECKER	DATE
①		S.Y.TANG	G.F.YANG	12/12/07
②		G.F.YANG	W.H.HSU	03/26/08
③				



Section A-A



Pull strength 1.5kg min.

DWG NO. EF25-8P-TH-5.0-A2-91-4S

PART NO.	MATERIAL (BOBBIN)	MATERIAL (TERMINAL)	TERMINAL (PLATING)	PIN ALLOCATION	NOTE
TBI-205-05124.9106	PET-FR 530 (NC)	C.P WIRE	Sn	ALL PIN	
TBI-205-05124.9116	PET-FR 530 (NC)	C.P WIRE	Sn	PIN 2,6 NO	52GEVD254S02
TBI-205-05124.9126	PET-FR 530 (NC)	C.P WIRE	Sn	PIN 2,3 NO	52GEVD254S03

TOLERANCE: 0<L≤4 ±0.1 4<L≤16 ±0.2 16<L≤163 ±0.3 Pin Pitch ±0.2 Angle±1°

UNIT : m / m

SCALE 1.5 : 1

Finish: 1. Pb wire Immersion Sn on terminal : Thickness:Sn plating,100,5 μm (200 μ inches) min,Base nickel 0.625 μm (25 μ inches) min.
2. CP wire Immersion Sn on terminal : Thickness:Sn plating,100,5 μm (200 μ inches) min.
3. Coplanarity deviation: 0.10 mm (0.004 inches) max.

REV 2